

K O N Č A R

USER MANUAL UPUTE ZA UPORABU UPUSTVO ZA UPOTREBU

CHEST FREEZER / LEDENICA / ZAMRZIVAČ

LV100BH
LV150BH
LV200BH
LV400BH
LVE400BH

Uvoznik za Srbiju:
PB NITOM d.o.o.
Gruje A. Kostadinovića 15A
18104 Niš, Republika Srbija
Zemlja proizvodnje: Kina



KONČAR - KUĆANSKI APARATI d.d.
Karlovačka ulica 23, 10451 Pisarovina, Hrvatska, EU
T: + (385) 1 2484 555 F: + (385) 1 2404 102
kucanski@koncar-ka.hr www.koncar-ka.hr



Content	
1. Safety Information	Page 1~7
2. Product description	Page 8
3. Installation	Page 9
4. Daily use	Page 10~13
5. Troubleshooting	Page 14

SAFETY INFORMATIONS!

Before first use


In the interest of your safety and to ensure the correct use, before installing and first using the appliance, read this user manual carefully, including its hints and warnings. To avoid unnecessary mistakes and accidents, it is important to ensure that all people using the appliance are thoroughly familiar with its operation and safety features. Save these instructions and make sure that they remain with the appliance if it is moved or sold, so that everyone using it through its life will be properly informed on appliance use and safety. For the safety of life and property keep the precautions of these user's instructions as the manufacturer is not responsible for damages caused by omission.


Children and vulnerable people safety

- This appliance can be used by children aged from 8 years and above and persons with reduced physical, sensory or mental capabilities or lack of experience and knowledge if they have been given supervision or instruction concerning use of the appliance in a safe way and understand the hazards involved.
- Children aged from 3 to 8 to years are allowed to load and unload this appliance.


- Children should be supervised to ensure that they do not play with the appliance.
- Leaning and user maintenance shall not be made by children unless they are aged from 8 years and above and supervised.
- If you are discarding the appliance pull the plug out of the socket, cut the connection cable (as close to the appliance as you can) and remove the door to prevent playing children to suffer electric shock or to close themselves into it.
- If these appliance featuring magnetic door seals is to replace an older appliance having a spring lock (latch) on the door or lid, be sure to make that sprig lack unusable before you discard the old appliance. This will prevent it from becoming a death trap for a child.

General safety

 **WARNING!** Keep ventilation openings, in the appliance enclosure or in the built (in structure, clear of obstruction.

 **WARNING!** Do not use mechanical devices or other means to accelerate the defrosting process, other than those recommended by the manufacturer.

 **WARNING!** Do not damage the refrigerant circuit.

 **WARNING!** Do not use other electrical appliances such as ice cream makers inside of refrigerating appliances, unless they are approved for this purpose by the manufacture.


⚠ WARNING! Do not touch the light bulb if it has been on for a long period of the time could be very hot.


WARNING! When positioning the appliance, ensure the supply cord is not trapped or damaged.

WARNING! Do not locate multiple portable socket-outlets or portable power suppliers at the rear of the appliance.

1. Do not store explosive substance such as aerosol cans with a flammable propellant in this appliance.
2. The refrigerant isobutene (R-600a) is contained within the refrigerant circuit of the appliance, a natural gas with a high level of environmental compatibility, which is nevertheless flammable.
3. During transportation and installation of the appliance, be certain that none of the components of the relevant circuit become damaged.
 - Avoid open flames and sources of ignition
 - Thoroughly ventilate the room in which the appliance is situated
4. It is dangerous to alter the specifications or modify this product in any way. Any damage to the cord may cause a short circuit, fire and/or electric shock.
5. This appliance is intended to be used in house hold and similar applications such as:
 - staff kitchen areas in shops, offices and other working environments
 - farm houses and by clients in hotels, motels and other residential type of environments

- bed and breakfast type of environments
- catering and similar non-retail applications

 **WARNING!** Any electrical components plug, power cord, compressor and etc. must be replaced by a certified service agent or qualified service personnel.

 **WARNING!** The light bulb supplied with this appliance is a “special use lamp bulb” usable only with the appliance supplied. This “special use lamp” is not usable for domestic lighting.

- Power cord must not be lengthened
- Make sure that the power plug is not squashed or damaged by the back of the appliance. A squashed or damaged power plug may overheat and cause a fire.
- Make sure that you can come to the mains plug of the appliance.
- Do not pull the mains cable
- If the power plug socket is loose, do not insert the power plug. There is a risk of electric shock or fire.
- You must not operate the appliance without the lamp.
- This appliance is heavy. Care should be taken when moving it.
- Do not remove or touch items from the freezer compartment if your hands are damp/wet, as this could cause skin abrasions or frost/freezer burns.
- Avoid prolonged exposure of the appliance to direct sunlight.

Daily use

- Do not put hot on the plastic parts in the appliance.
- Do not place food products directly against the rear wall
- Frozen food must not be refrozen once it has been thawed out.
- Store pre packed frozen food in accordance with the frozen food manufacture's instructions
- Appliance's manufactures storage recommendations should be strictly adhered to. Refer to relevant instructions.
- Do not place carbonated or fizzy drinks in the freezer compartment as it creates pressure on the container, which may cause it to explode, resulting in damage to the appliance.
- Ice lollies can cause frost burns if consumed straight from the appliance.
- To avoid contamination of food, please respect the following instructions
 - Opening the door for long periods can cause a significant increase of the temperature in the compartments of the appliance.
 - Clean regularly surfaces that can come in contact with food and accessible drainage systems.
 - Clean water tanks if they have not been used for 48h; flush the water system connected to a water supply if water has not been drawn for 5 days.
 - Store raw meat and fish in suitable containers in the refrigerator, so that it is not in contact with or drip onto other food.
 - Two-star frozen-food compartments (if they are presented in the appliance) are suitable for storing pre-

frozen food, storing or making ice-cream and making ice cubes.

- One-, two- and three - star compartments (if they are presented in the appliance) are not suitable for the freezing of fresh food)
- If the appliance is left empty for long periods, switch off, defrost, clean, dry and leave the door open to prevent mould developing within the appliance.

Care and cleaning

- Before maintenance, switch off the appliance and disconnect the mains plug from the mains socket.
- Do not clean the appliance with metal objects.
- Do not use sharp objects to remove frost from the appliance. Use a plastic scraper.
- Regularly examine the drain in the refrigerator for defrosted water. If necessary, clean the drain. If the drain is blocked, water will collect in the bottom of the appliance.

Installation

Important! For electrical connection carefully follow the instructions given in specific paragraphs.

- Unpack the appliance and check if there are damages on it. Do not connect the appliance if it is damaged. Report possible damages immediately to the place you bought it. In that case retain packing.
- It is advisable to wait at least four hours before connecting the appliance to allow the oil to flow back in the compressor.

- Adequate air circulation should be around the appliance, lacking this leads to overheating. To achieve sufficient ventilation follow the instructions relevant to installation.

- Wherever possible the spacers of the product should be against a wall to avoid touching or catching warm parts (compressor, condenser) to prevent possible burn.

The appliance must not be located close to radiators or cookers.

Make sure that the mains plug is accessible after the installation of the appliance.

Service

- Any electrical work required to do the servicing of the appliance should be carried out by a qualified electrician or competent person.

- This product must be serviced by an authorized Service center, and only genuine spare parts must be used.

Energy saving

- Don't put hot food in the appliance

- Don't pack food close together as this prevents air-circulating

- Make sure food don't touch the back of the compartment(s)

- If electricity goes off, don't open the door (s)

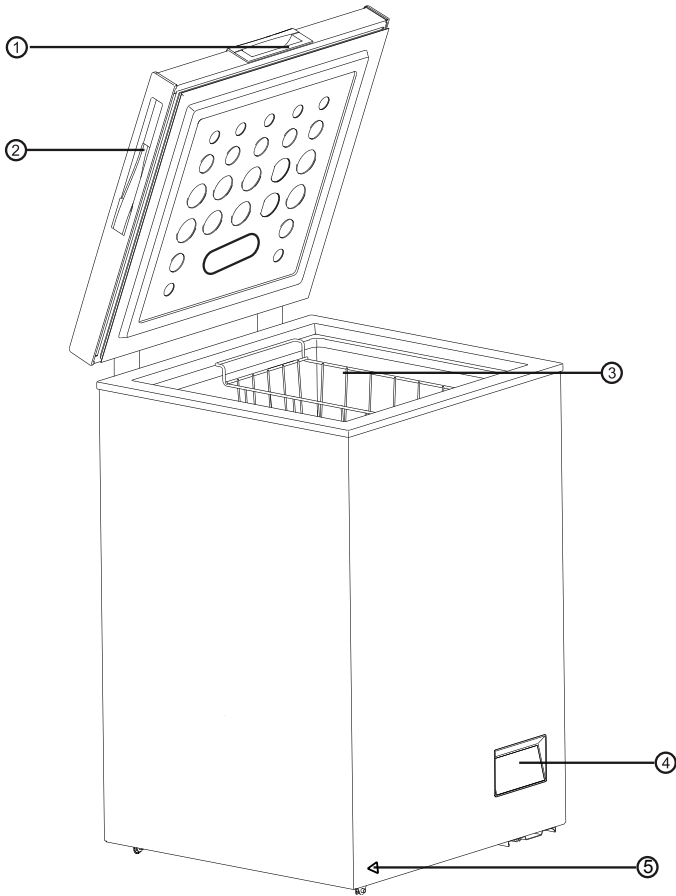
- Don't open the door (s) frequently

- Don't keep the door (s) open for too long time

- Don't set the thermostat on exceeding cold temperatures

- All accessories, such as drawers, shelves balconies, should be kept there for lower energy consumption.

PRODUCT DESCRIPTION



1. Recessed handle
2. Recessed handle
3. Basket
4. Thermostat knob
5. Drain hole

Note: Above picture is for reference only. Real appliance is probably different.

Installation

Location

The appliance should be installed well away from sources of heat such as radiators, boilers, direct sunlight etc. Ensure that air can circulate freely around the back of the cabinet. To ensure best performance, if the appliance is positioned below an overhanging wall unit, the minimum distance between the top of the cabinet and the wall unit must be at least 100 mm. Ideally, however, the appliance should not be positioned below overhanging wall units. Accurate leveling is ensured by one or more adjustable feet at the base of the cabinet.

Warning! It must be possible to disconnect the appliance from the mains power supply; the plug must therefore be easily accessible after installation.

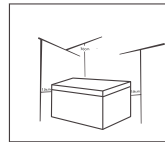
Electrical connection

Before plugging in, ensure that the voltage and frequency shown on the rating plate correspond to your domestic power supply. The appliance must be earthed. The power supply cable plug is provided with a contact for this purpose. If the domestic power supply socket is not earthed, consult a qualified electrician. The manufacturer declines all responsibility if the above safety precautions are not observed.

Space requirement

The following are recommended clearances around the chest freezer:

- Sides10cm
- Back10cm
- Top70cm



Positioning

Install this appliance at a location where the ambient temperature corresponds to the climate class indicated on the rating plate of the appliance.

Climate class	Ambient temperature
SN	+10°C to +32°C
N	+16°C to +32°C
ST	+16°C to +38°C
T	+16°C to +43°C

Daily use

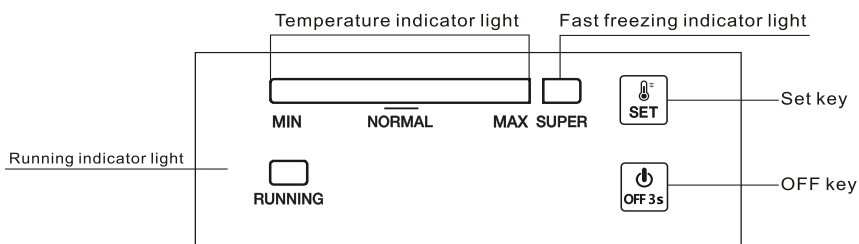
First use

Cleaning the interior

Before using the appliance for the first time, wash the interior and all internal accessories with lukewarm water and some neutral soap so as to remove the typical smell of a brand new product, then dry thoroughly.

Important! Do not use detergents or abrasive powders, as these will damage the finish.

Temperature Setting



Electrical connection

When the appliance is plugged in, all LED indicator lights will flash once. Then the appliance will resume the mode previously set before the electrical outage.

Temperature Setting

- Setting: Press "SET" button, enter the temperature setting mode. The temperature indicator bar of temperature goes up a scale by each press. This setting runs in cycles. Temperature can run from Scale MIN to Scale MAX. Scale MAX is the coldest. The temperature is automatically set in 5 seconds after last press.
- Super Freezing
- Press "SET" button consecutively to enter "SUPER" freezing mode from Scale MAX, the indicator bar on the left hereby will turn dark whereas the indicator light of "SUPER" turns on. This mode is automatically set in 5 seconds after last press.
- The compressor keeps working in "SUPER" freezing mode.

If the "SUPER" mode keeps running for 52 hours and not stopped manually, the system will automatically cut out this mode, with the temperature back at Scale 5.

Power On & Power Off

If the appliance is working, press “ON/OFF” for 3 seconds to turn off. If the appliance is off, press “ON/OFF” for 3 seconds to turn on.

Indicator Lights

- Temperature Indicator Light (Bright Blue): To adjust the temperature from Scale MIN to Scale MAX.
- MAX is the coldest.
- Super Freezing Indicator Light (Bright Blue): Light on = in “SUPER” mode; light off = exit “SUPER” mode.
- Running Indicator Light (Bright Green): Light on = compressor in work; light off = compressor stops.
- 30 minutes after the last operation, the indicator light will be on in half luminance.

Resumption Function

The appliance will automatically resume the mode previously set before the electrical outage.

Temperature Sensor Fault Alarm

When there is a disconnection or short out of the temperature sensor, as a fault alarm, the temperature indicator bar will flash from left to right every 0.5 second.

Freezing fresh food

- The freezer compartment is suitable for freezing fresh food and storing frozen and deep-frozen food for a long time.
- Place the fresh food to be frozen in the freezer compartment.
- The maximum amount of food that can be frozen in 24 hours is specified on the rating plate.
- The freezing process lasts 24 hours: during this period do not add other food to be frozen.

Storing frozen food

When first starting-up or after a period out of use, before putting the product in the compartment let the appliance run at least 2 hours on the higher settings.

Important! In the event of accidental defrosting, for example the power has been off for longer than the value shown in the technical characteristics chart under “rising time”, the defrosted food must be consumed quickly or cooked immediately and then re-frozen (after cooked).

Thawing

Deep-frozen or frozen food, prior to be used, can be thawed in the fridge compartment or at room temperature, depending on the time available for this operation.

Small pieces may even be cooked still frozen, directly from the freezer. In this case, cooking will take longer

Helpful hints and tips

To help you make the most of the freezing process, here are some important hints:

- the maximum quantity of food which can be frozen in 24 hrs. is shown on the rating plate;
- the freezing process takes 24 hours. No further food to be frozen should be added during this period;
- only freeze top quality, fresh and thoroughly cleaned, foodstuffs;
- prepare food in small portions to enable it to be rapidly and completely frozen and to make it possible subsequently to thaw only the quantity required;
- wrap up the food in aluminium foil or polythene and make sure that the packages are airtight;
- do not allow fresh, unfrozen food to touch food which is already frozen, thus avoiding a rise in temperature of the latter;
- lean foods store better and longer than fatty ones; salt reduces the storage life of food;
- water ices, if consumed immediately after removal from the freezer compartment, can possibly cause the skin to be freeze burnt;
- it is advisable to show the freezing in date on each individual pack to enable you removal from the freezer compartment, can possibly cause the skin to be freeze burnt;
- it is advisable to show the freezing in date on each individual pack to enable you to keep tab of the storage time.

Hints for storage of frozen food

To obtain the best performance from this appliance, you should:

- make sure that the commercially frozen foodstuffs were adequately stored by the retailer;
- be sure that frozen foodstuffs are transferred from the food store to the freezer in the shortest possible time;
- not open the door frequently or leave it open longer than absolutely necessary.
- once defrosted, food deteriorates rapidly and cannot be re-frozen;
- do not exceed the storage period indicated by the food manufacture.

Hints for fresh food refrigeration

To obtain the best performance:

- Do not store warm food or evaporating liquids in the refrigerator
- Do cover or wrap the food, particularly if it has a strong flavour
- Make (all types): wrap in polythene bags and place on the glass shelves above the vegetable drawer.
- For safety, store in this way only one or two days at the most.
- Cooked foods, cold dishes, etc...: these should be covered and may be placed on anyshelf.
- Fruit and vegetables: these should be thoroughly cleaned and placed in the special drawer(s) provided.
- butter and cheese: these should be placed in special airtight containers or wrapped in aluminum foil or polythene bags to exclude as much air as possible.
- Milk bottle: these should have a cap and should be stored in the balconies on the door.
- Bananas, potatoes, onions and garlic, if not packed, must not be kept in the fridge.

Cleaning

For hygienic reasons the appliance interior, including interior accessories, should be cleaned regularly.



Caution! The appliance may not be connected to the mains during cleaning. Danger of electrical shock! Before cleaning switch the appliance off and remove the plug from the mains, or switch off or turn out the circuit breaker or fuse. Never clean the appliance with a steam cleaner. Moisture could accumulate in electrical components, danger of

electrical shock! Hot vapors can lead to the damage of plastic parts. The appliance must be dry before it is placed back into service.

Important! Ethereal oils and organic solvents can attack plastic parts, e.g. lemon juice or the juice from orange peel, butyric acid, cleanser that contain acetic acid.

- Do not allow such substances to come into contact the appliance parts.
- Do not use any abrasive cleaners
- Remove the food from the freezer. Store them in a cool place, well covered.
- Switch the appliance off and remove the plug from the mains, or switch off or turn out the circuit breaker of fuse.

- Clean the appliance and the interior accessories with a cloth and lukewarm water.
After cleaning wipe with fresh water and rub dry.
- After everything is dry place appliance back into service.

Defrosting of the freezer

The freezer, however, will become progressively covered with frost. This should be removed.

Never use sharp metal tools to scrape off frost from the evaporator as you could damage it.

However, when the ice becomes very thick on the inner liner, complete defrosting should be carried out as follows:

- Unplug the unit. Remove the drain plug from the inside of the freezer.

Defrosting usually takes a few hours. To defrost faster keep the freezer door open.

- For draining, place a tray beneath the outer drain plug. Pull out the drain dial.

- Rotate the drain dial 180 degree. This will let the water flow out in the tray. When done, push the drain dial in. Re-plug the drain plug inside the freezer.



Note: Monitor the container under the drain to avoid overflow.

- Wipe the interior of the freezer and replace the electrical plug in the electrical outlet. Reset the temperature control to the desired setting.

Troubleshooting



Caution! Before troubleshooting, disconnect the power supply. Only a qualified electrician or competent person must do the troubleshooting that is not in this manual.



Important! There are some sounds during normal use (compressor, refrigerant circulation).

Problem	Possible cause	Solution
Appliance does not work	Mains plug is not plugged in or is loose	Insert mains plug.
	Fuse has blown or is defective	Check fuse, replace if necessary.
	Socket is defective	Mains malfunctions are to be corrected by an electrician.
Appliance freezes too much	Temperature is set too cold or the appliance runs at "7" setting.	Turn the temperature regulator to a warmer setting temporarily.
The food is not frozen enough	Temperature is not properly adjusted.	Please look in the initial Temperature Setting section.
	Door was open for an extended period.	Open the door only as long as necessary.
	A large quantity of warm food was placed in the appliance within the last 24 hours.	Turn the temperature regulation to a colder setting temporarily.
	The appliance is near a heat source.	Please look in the installation location section.
Heavy build-up of frost on the door seal.	Door seal is not air-tight.	Carefully warm the leaking sections of the door seal with a hair dryer (on a cool setting). At the same time shape the warmed door seal by hand such that it sits correctly.
Unusual noises	Appliance is not level.	Check the appliance and level it by some articles.
	The appliance is touching the wall or other objects.	Move the appliance slightly.
	A component, e.g. a pipe, in the side of the appliance is touching another part of the appliance or the wall.	If necessary, carefully bend the component out of the way.

If the malfunction shows again, contact the Service Center.

These data are necessary to help you quickly and correctly. Write the necessary data here, refer to the rating plate.

Sadržaj	
1. Sigurnosne informacije	Stranica 1~10
2. Opis proizvoda	Stranica 11
3. Instalacija uređaja	Stranica 12
4. Svakodnevna uporaba	Stranica 13~16
5. Otklanjanje kvarova	Stranica 17

UPOZORENJA I SIGURNOSNE INFORMACIJE

Prije prve uporabe

Za vašu sigurnost i pravilnu uporabu, prije postavljanja i uporabe uređaja, pažljivo pročitajte ove upute zajedno sa savjetima i upozorenjima. Kako biste izbjegli nepotrebne pogreške i nezgode, važno je da sve osobe koje koriste uređaj budu upoznate s njegovim načinom rada i sigurnosnim značajkama. Spremite ove upute kako bi drugi mogli koristiti uređaj i upoznati se s korištenjem i mjerama sigurnosti ako ga poklonite ili prodate.

Radi sigurnosti ljudi, životinja i imovine, pridržavajte se mjera opreza u ovim uputama jer proizvođač ne odgovara za štete nastale uslijed njihova nepridržavanja.

Sigurnost djece i nemoćnih osoba

Uređaj mogu upotrebljavati djeca od 8 godina nadalje i osobe smanjenih psihofizičkih, osjetilnih ili mentalnih sposobnosti ili s nedovoljnim iskustvom i

znanjem, ukoliko im je pružen nadzor ili upute vezane za uporabu uređaja na siguran način te ako razumiju moguću opasnost koja je prisutna pri uporabi. Ne dozvolite djeci igranje s uređajem. Djeca ne smiju čistiti ili održavati ovaj uređaj bez nadzora.

Djeca u dobi između 3 i 8 godina smiju puniti i prazniti hladnjak.

Uređaj nije namijenjen uporabi od strane osoba (i djece) smanjenih fizičkih, osjetilnih ili mentalnih sposobnosti ili s manjkom znanja i iskustva, osim ako nisu pod nadzorom osobe zadužene za njihovu sigurnost. Nadzirajte djecu kako se ne bi igrala uređajem.

Ambalažu držite dalje od djece jer predstavlja opasnost od gušenja.

Prilikom zbrinjavanja dotrajalog uređaja, odspojite kabel napajanja iz utičnice i odrežite ga na mjestu što bliže uređaju te skinite vrata kako se djeca ne bi slučajno zatvorila unutra i doživjela strujni udar.

Ako ovaj uređaj s magnetskim brtvama vrata zamjenjuje stariji s opružnom bravom na vratima ili poklopcu, onespособite je prije zbrinjavanja starog

uređaja. To će spriječiti fatalne posljedice do kojih može doći ako se unutra zaključaju djeca.

Opće sigurnosne informacije

Ventilacijski otvori uređaja moraju biti slobodni, bez blokada.

Ne upotrebljavajte mehanička sredstva ili druga umjetna sredstva za odleđivanje koja nisu preporučena od strane proizvođača.

Ne oštećujte sklop rashladnog sustava.

Ne upotrebljavajte električne uređaje u odjeljcima za spremanje hrane, kao što je ledomat, osim ako ih nije preporučio proizvođač.

Ne dirajte svjetlo u hladnjaku jer bi moglo biti vruće.

Iza uređaja nemojte postavljati višestruke utičnice ili prijenosne izvore napajanja.

Prilikom postavljanja uređaja, pazite da kabel napajanja ne bude priklješten ili oštećen.

U uređaju nemojte držati eksplozivne tvari poput raspršivača sa zapaljivim plinovima.

Rashladni sklop uređaja sadrži rashladni plin izobutan (R600a), prirodni plin koji ne zagađuje okoliš, ali je zapaljiv. Provjerite da tijekom transporta i postavljanja uređaja nije došlo do oštećenja nijedne komponente rashladnog sklopa.

Rashladni plin (R600a) je zapaljiv.

Hladnjaci u izolacijskim materijalima sadrže rashladna sredstva i plinove. Rashladno sredstvo i plinovi moraju se zbrinuti na profesionalan način jer mogu izazvati ozljede očiju ili zapaljenje. Pazite da prije zbrinjavanja cijevi rashladnog sredstva nisu oštećene.

Ako je rashladni sklop oštećen:

- Izbjegavajte otvoreni plamen i izvore zapaljenja.
- Dobro prozračite prostoriju u kojoj se uređaj nalazi.

Opasno je mijenjati karakteristike uređaja ili ga modificirati na bilo koji način.

Bilo kakvo *oštećenje* kabela napajanja može izazvati kratak spoj, požar i/ili strujni udar.

Ovaj uređaj je namijenjen uporabi u kućanstvima i:

- kuhinjama za osoblje u trgovinama, uredima i drugim radnim okruženjima;
- u kućama na poljoprivrednim dobrima, za goste u hotelima, motelima i sličnim vrstama smještaja;
- u prenoćistima;
- u cateringu i drugim uslugama s prodajom na veliko

Kabel napajanja ne smije se produljivati.

Pazite da utikač kabela nije oštećen ili polomljen. Oštećeni ili polomljen utikač može se pregrijati i izazvati požar.

Priključnica napajanja uređaja uvijek mora biti lako dostupna.

Nemojte povlačiti kabel.

Ako je strujna utičnica labava, nemojte u nju spajati kabel napajanja. Postoji rizik od strujnog udara ili požara.

Žarulja u uređaju ne smije se koristiti bez njezina poklopca.

Svakodnevna uporaba

1. U uređaju nemojte pohranjivati zapaljive plinove ili tekućine. Postoji opasnost od eksplozije.
2. U uređaju nemojte koristiti nikakve električne uređaje (npr. električne aparate za sladoled, miksera i sl.).
3. Prilikom odspajanja uređaja iz napajanja, uvijek povlačite utikač, a ne sâm kabel.
4. Blizu plastičnih dijelova uređaja nemojte stavljati vruće predmete.
5. Nemojte stavljati namirnice direktno na odvod zraka na stražnjoj stjenci.
6. Zamrznuta jela čuvajte u skladu s uputama proizvođača.
7. Valja se strogo pridržavati uputa proizvođača o čuvanju namirnica. Pročitajte važeće upute za pohranjivanje.
8. U zamrzivač ne stavljajte gazirana pića jer ona stvaraju pritisak u bocama/limenkama te mogu eksplodirati i oštetiti uređaj.
9. Zamrznuta hrana može izazvati ozeblina ako je konzumirate direktno iz zamrzivača.
10. Ne postavljajte uređaj izravno sunce.

11. Upaljene svijeće, svjetiljke i izvore otvorenog plamena držite dalje od uređaja kako se ne bi zapalio.
12. Uređaj je namijenjen čuvanju hrane i/ili pića u kućanstvima, kao što je opisano u ovim uputama. Uređaj je težak. Budite pažljivi prilikom njegova pomicanja.
13. Nemojte vaditi ili dirati namirnice u zamrzivaču vlažnim/mokrim rukama jer to može izazvati abrazije kože ili ozeblina.
14. Postolje, ladice, vrata itd. nemojte koristiti za stajanje ili podupiranje.
15. Jednom odmrznute namirnice ne smiju se ponovno zamrzavati.
16. Nemojte konzumirati sladolede ili kocke leda izravno iz zamrzivača jer to može izazvati ozeblina na ustima.
17. Kako biste izbjegli padanje predmeta i ozljede ili oštećenja uređaja, nemojte pretrpavati police u vratima ili ladice.

Oprez! Održavanje i čišćenje

Prije održavanja isključite uređaj i odspojite kabel napajanja iz utičnice.

Nemojte čistiti uređaj metalnim predmetima, parnim strojevima, eteričnim uljima, organskim otapalima ili abrazivnim sredstvima.

Nemojte uklanjati led oštrim predmetima. Upotrijebite plastičnu strugalicu.

Instalacija – važno!

Pridržavajte se ovdje navedenih uputa za električno povezivanje.

- Raspakirajte uređaj i provjerite je li oštećen. Ako je uređaj oštećen, nemojte ga koristiti. Moguća oštećenja odmah prijavite prodavatelju. U tom slučaju sačuvajte ambalažu.
- Prije spajanja na napajanje savjetuje se pričekati najmanje četiri sata kako bi se ulje vratilo u kompresor.
- Oko uređaja ostavite dovoljno prostora za ventilaciju jer se u suprotnom može pregrijati. Za dostatnu ventilaciju, slijedite upute o instalaciji.
- Kad god je moguće, stražnja stjenka uređaja ne smije biti preblizu zidu kako ne bi došlo do kontakta s

toplim dijelovima (kompresor, kondenzator), jer postoji rizik od požara. Slijedite upute o instalaciji.

- Uređaj ne smije biti blizu radijatora ili štednjaka.
- Vodite računa da nakon postavljanja uređaja utikač kabela napajanja bude lako dostupan.

Sve radove vezane uz struju prepustite stručnom električaru ili kvalificiranoj osobi.

Ovaj uređaj treba servisirati u ovlaštenom servisu i moraju se koristiti samo originalni rezervni dijelovi.

Ušteda energije

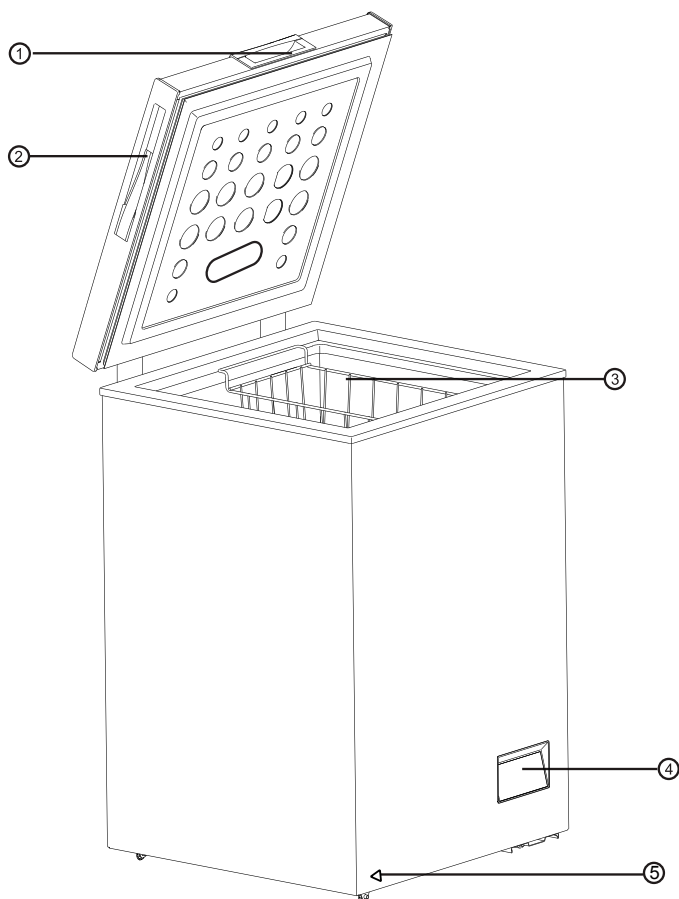
Savjetujemo da slijedite donje savjete kako biste uštedjeli energiju.

- Pokušajte izbjegavati predugo otvaranje vrata.
- Odmaknite uređaj od bilo kakvih izvora topline (direktno sunce, električna pećnica ili štednjak itd.).
- Nemojte podešavati nižu temperaturu nego što je potrebno.
- U hladnjak nemojte stavljati topla jela ili tekućine koje isparavaju.
- Postavite uređaj dobro ventiliranu prostoriju

bez vlage. Pogledajte odjeljak "Postavljanje vašeg novog uređaji

- Ako dijagram prikazuje pravilnu kombinaciju ladica i polica, nemojte je mijenjati jer je ta kombinacija energetski najefikasnija

OPIS PROIZVODA



1. Ugradbena ručka
2. Ugradbena ručka
3. Košara
4. Gumb termostata
5. Odvodna rupa

Napomena: Slike iznad je samo za referencu. Uređaj može izgledati drugačije.

Instalacija

Pozicija

Uređaj treba ugraditi daleko od izvora topline kao što su radijatori, kotlovi, izravna sunčeva svjetlost itd. Osigurajte da zrak može slobodno cirkulirati oko stražnjeg dijela ormara. Kako bi se osigurale najbolje performanse, ako je uređaj postavljen ispod viseće zidne jedinice, minimalna udaljenost između vrha ormarića i zidne jedinice mora biti najmanje 100mm. U idealnom slučaju, Međutim, uređaj se ne smije postaviti ispod visećih zidnih jedinica. Točno niveliranje osigurava jedna ili više podesivih nogu na dnu uređaja.

Upozorenje! Uređaj mora biti moguće iskopčavati iz glavnog napajanja; utikač stoga mora biti lako dostupan nakon instalacije.

Električni priključak

Prije uključivanja provjerite odgovaraju li napon i frekvencija prikazana na nazivnoj pločici vašem kućnom napajanju. Uređaj mora biti uzemljen. U tu je svrhu kabel napajanja opremljen kontaktom. Ako kućna utičnica nije uzemljena, priključite uređaj na zasebnu uzemljenu utičnicu u skladu s važećim propisima, kontaktirajte kvalificiranog električara. Proizvođač odbacuje svaku odgovornost ako se ne poštuju gore navedene sigurnosne mjere opreza.

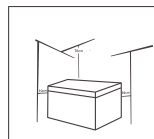
Zahtjevi u pogledu prostora

Preporučeni slobodan prostor oko uređaja:

Bočno: 10cm

Iza: 10cm

Iznad: 70cm



Pozicioniranje

Postavite ovaj uređaj na mjesto gdje temperatura okoline odgovara klimatskoj klasi navedenoj na nazivnoj pločici uređaja:

Climate class	Ambient temperature
SN	+10°C to +32°C
N	+16°C to +32°C
ST	+16°C to +38°C
T	+16°C to +43°C

Svakodnevna uporaba

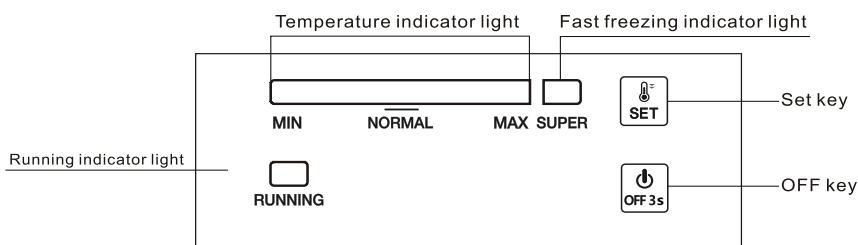
Prva primjena

Čišćenje interijera

Prije prve uporabe uređaja operite unutrašnjost i svu unutarnju dodatnu opremu mlakom vodom i neutralnim sapunom kako biste uklonili tipičan miris potpuno novog proizvoda, a zatim ga temeljito osušite.

Važno! Nemojte koristiti deterdžente ili abrazivne praške jer će to oštetiti završnu obradu.

Postavka temperature



Električni priključak

Kada je uređaj priključen, sva LED indikatorska svjetla će jednom bljesnuti. Zatim će uređaj nastaviti s načinom rada koji je prethodno postavljen prije nestanka struje.

Postavka temperature

- **Podešavanje:** Pritisnite tipku "SET", unesite način rada za podešavanje temperature. Indikator temperature mijenja se za svakim pritiskom. Ova postavka se pokreće u ciklusima. Raspon temperatura može se podešavati od MIN do MAX. MAX je najhladnija. Temperatura se automatski postavlja za 5 sekundi nakon zadnjeg pritiska.
- **Super zamrzavanje**
- Uzastopno pritisnite tipku "SET" kako biste ušli u način "SUPER" zamrzavanja. Indikatora na lijevoj strani potamnit će dok se indikatorsko svjetlo "SUPER" uključuje. Ovaj način rada automatski se postavlja 5 sekundi nakon zadnjeg pritiska.
- Kompresor nastavlja raditi u načinu "SUPER" zamrzavanja. Ako način rada "SUPER" radi 52 sata bez prekida i ne isključite ga ručno, sustav će automatski prekinuti taj način rada, a temperatura se vraća na skali 5.

Uključivanje i isključivanje napajanja

Ako uređaj radi, pritisnite "ON/OFF" 3 sekunde da biste ga isključili. Ako je uređaj isključen, pritisnite "ON/OFF" 3 sekunde kako biste uključili.

Svjetlosni indikatori

- Svjetlosni indikator temperature (svijetlo plava): Za podešavanje temperature u rasponu od MIN do MAX.
- MAX je najhladnije.
- Indikator Super zamrzavanje (svijetlo plava): svjetlo uključeno = u "SUPER" načinu rada; Svjetlo isključeno = isključen "SUPER" način rada.
- Svjetlo indikatora rada (svijetlozelena): svjetlo uključeno = kompresor u radu; svjetlo isključeno = isključen kompresor.
- 30 minuta nakon zadnjeg podešavanja, svjetlosni indikator će se automatski zatamniti na pola osvijetljenja.

Funkcija nastavka

Uređaj će automatski nastaviti s načinom rada koji je prethodno postavljen prije nestanka struje.

Alarm kvara senzora temperature

Kada dođe do isključivanja ili kratkog spoja senzora temperature, kao alarm kvara, indikator temperature treperit će slijeva nadesno svakih 0,5 sekundi.

Zamrzavanje svježe hrane

- Zamrzivač je pogodan za zamrzavanje svježe hrane i čuvanje smrznute i duboko smrznute hrane na dugo vremena.
- Stavite svježu hranu za zamrzavanje u zamrzivač.
- Maksimalna količina hrane koja se može zamrznuti u 24 sata navedena je na nazivnoj pločici.
- Postupak zamrzavanja traje 24 sata: tijekom tog razdoblja nemojte dodavati drugu hranu.

Čuvanje smrznute hrane

Prilikom prvog pokretanja ili nakon razdoblja kad nije u uporabi, prije stavljanja proizvoda u odjeljak pustite uređaj da radi najmanje 2 sata na višim postavkama.

Važno! U slučaju slučajnog odmrzavanja, na primjer, napajanje je isključeno dulje od vrijednosti prikazane u grafikonu tehničkih karakteristika pod "vrijeme rasta", odmrznuta hrana mora se brzo pripremiti ili kuhati, a zatim ponovno zamrznuti (nakon kuhanja).

Odmrzavanje

Duboko smrznuta ili smrznuta hrana, prije uporabe, može se odmrznuti u hladnjaku ili na sobnoj temperaturi, ovisno o dostupnom vremenu.

Mali komadi mogu se čak i kuhati još uvijek zamrznuti, izravno iz zamrzivača. U tom slučaju kuhanje će trajati dulje.

Korisni savjeti

Kako bi vam pomogli maksimalno iskoristiti uređaj, evo nekoliko važnih savjeta:

- maksimalna količina hrane koja se može zamrznuti u 24 sata. prikazana je na nazivnoj pločici;
- postupak zamrzavanja traje 24 sata. Tijekom tog razdoblja ne treba dodavati dodatnu hranu za zamrzavanje;
- zamrzavajte samo kvalitetne, svježe i temeljito očišćene prehrambene proizvode;
- pripremite hranu u manjim pakiranjima kako bi se omogućilo brzo i potpuno zamrzavanje te kako bi se kasnije mogle odmrznuti samo potrebne količine;
- zamotajte hranu u aluminijsku foliju ili plastične vrećice i provjerite jesu li pakiranja dobro zatvorena;
- Preporučljivo je pakete označiti datumom smrzavanja.

Savjeti za skladištenje smrznute hrane

Kako biste dobili najbolje performanse iz ovog uređaja, trebali biste:

- ne otvarajte vrata često ili ostavljajte otvorenu dulje nego što je potrebno.
- nakon odmrzavanja, hrana se brzo kvari i ne preporuča se ponovno zamrzavati;
- pazite na rok trajanja.

Čišćenje

Iz higijenskih razloga unutrašnjost uređaja, uključujući unutarnju opremu, treba redovito čistiti.



Oprez! Uređaj isključite iz električnu utičnicu prije čišćenja. U protivnom postoji opasnost od strujnog udara! Prije čišćenja isključite uređaj i izvucite utikač iz utičnice. Nikada ne čistite uređaj koristeći parni čistač. Vlaga se može akumulirati u električnim komponentama, opasnost od električnog udara! Vruća para može dovesti do oštećenja plastičnih dijelova. Uređaj mora biti suh prije nego što se vrati u uporabu.

Važno! Eterična ulja i organska otapala mogu oštetiti plastične dijelove, npr. limunov sok ili sok narančine kore, kiseline, sredstvo za čišćenje koje sadrži octenu kiselinu.

- Ne dopustite da takve tvari dođu u dodir sa dijelovima uređaja.
- Ne koristite abrazivna sredstva za čišćenje
- Izvadite hranu iz zamrzivača. Pohranite na hladnom mjestu, dobro pokrivenu.
- Isključite uređaj i izvucite utikač iz utičnice.
- Očistite uređaj i unutarnji pribor krpom i mlakom vodom. Nakon čišćenja obrišite svježom vodom i osušite.
- Nakon što je uređaj suh, uključite ga natrag u električnu utičnicu i pokrenite rad.

Odmrzavanje zamrzivača

Zamrzivač će s vremenom postati prekriven ledom, a taj led treba redovito uklanjati.

Nikada nemojte koristiti oštre metalne predmete za struganje leda s isparivača jer biste ga mogli oštetiti.

Kada led postane vrlo gust, potrebno je potpuni odmrznuti uređaj imajući na umu sljedeće savjete:

- Isključite uređaj. Izvucite odvodni čep iz unutarnjeg dijela zamrzivača.

Odmrzavanje obično traje nekoliko sati. Za brže odmrzavanje vrata zamrzivača ostavite otvorena.


- Obavezno stavite posudu ispred odvoda s vanjske strane uređaja.
- Zakrenite odvodni čep za 180 stupnjeva. To će pustiti vodu, kada završite, gurnite odvodni čep natrag na mjesto. Vratite odvodni čep unutar zamrzivača.

Napomena: Vodite brigu o napunjenosti spremnik ispod odvoda kako bi se izbjeglo prelijevanje.

- Obrišite unutrašnjost zamrzivača i ponovno uključite električni utikač u električnu utičnicu. Podesite temperature na željenu vrijednost.



Otklanjanje kvarova

 **Pažnja!** Prije otklanjanja problema isključite napajanje. Samo ovlašteni serviser smije obavljati popravak i otklanjanje problema koji se ne nalaze u ovom priručniku.

 **Važno!** Mogu se čuti neki zvukovi tijekom normalnog rada uređaja (kompresor, cirkulacija rashladnog sredstva).

Problem	Mogući uzrok	Rješenje
Uređaj ne radi	Mrežni utikač nije priključen	Uključite utikač u strujnu mrežu
	Osigurač je neispravan	Provjerite osigurač i zamijenite prema potrebi
	Utičnica je neispravna	Strujne kvarove mora obaviti ovlašteni električar
Uređaj se previše zamrzava	Temperatura je podešena prenisko	Okrenite regulator temperature na topliju postavku privremeno.
Hrana nije dovoljno zamrznuta	Temperatura nije pravilno podešena.	Pogledajte u početnom odjeljku Postavke temperature.
	Vrata su bila otvorena duže vrijeme.	Otvorite vrata samo onoliko dugo koliko je potrebno.
	U uređaj je stavljena velika količina tople hrane u posljednja 24 sata.	Okrenite regulaciju temperature na hladnije postavke privremeno.
	Uređaj je blizu izvora topline.	Pogledajte odjeljak mjesto instalacije.
Nakupljanje mraza na brtvi vrata	Brtva vrata je neispravna	Ispravite brtvu, ako je moguće
Neobični zvukovi	Uređaj nije u ravnini	Provjerite uređaj i poravnajte ga
	Uređaj dodiruje zid ili druge predmete.	Lagano pomaknite uređaj.

Ako se kvar ponovno pojavi, obratite se servisnom centru.

Ti su podaci potrebni kako bi vam pomogli da brzo i ispravno napišite potrebne podatke, pogledajte nazivnu pločicu.

Sadržaj	
1. Sigurnosne informacije	Stran ca 1~10
2. Opis proizvoda	Stran ca 11
3. Instalacija uređaja	Stran ca 12
4. Svakodnevna upotreba	Stran ca 13~15
5. Otklanjanje kvarova	Stran ca 17

UPOZORENJA I SIGURNOSNE INFORMACIJE

Pre prve upotrebe

Za vašu sigurnost i pravilnu upotrebu, pre postavljanja upotrebe uređaja, pažljivo procitajte ove upute zajedno sa savetima i upozorenjima. Kako biste izbegli nepotrebne greske, nezgode, vazno je da sve osobe koje koriste uređaj budu upoznate s njegovim načinom rada sigurnosnim karakteristikama. Spremite ovo upustvo kako bi drugi mogli koristiti uređaj i upoznati se s korišćenjem i merama sigurnosti ako ga poklonite ili prodate.

Radi sigurnosti, pridržavajte se mera opreza u ovom upustvu jer proizvođač ne odgovara za štete nastale usled njihova nepridržavanja.

Sigurnost dece i nemocnih osoba

Uređaj mogu upotrebljavati deca od 8 god na nadalje osobe smanjenih psihofizickih, mentalnih sposobnosti ili s nedovoljnim iskustvom i

znanjem, ukoliko im je pružen nadzor i upustvo vezane za upotrebu uređaja na siguran način te ako razumeju moguću opasnost koja je prisutna pri upotrebi. Ne dozvolite deci igranje s uređajem. Deca ne smeju čistiti i održavati ovaj uređaj bez nadzora.

Uređaj je namenjen upotrebi od strane osoba (i dece) smanjenih fizičkih, i mentalnih sposobnosti ili s manjkom znanja i iskustva, osim ako nisu pod nadzorom osobe zadužene za njihovu sigurnost. Nadzirajte decu kako se ne bi igrala uređajem.

Ambalazu držite dalje od dece jer predstavlja opasnost od gušenja.

Prilikom zbrinjavanja dotrajalog uređaja, odspojite kabl napajanja uticnice odrezte ga na mestu sto bi se uređaju te skinite vrata kako se deca ne bi slučajno zatvorila unutra dozvela strujni udar.

Opšte sigurnosne informacije

Ventilacijski otvor uređaja moraju biti slobodni, bez blokada.

Ne upotrebljavajte mehanicka sredstva i druga

umetna sredstva za odledjvanje koja nisu preporucena od strane proizvodaca.

Ne ostecujte sklop rashladnog sastava.

Ne upotrebijavajte elektricne uredjaje u odeljcima za spremanje hrane, kao što je ledomat, osim ako ih nije preporucio proizvodac.

Ne dirajte svetlo u hiadnjaku jer bi moglo biti vruce.

Iza uredaja nemojte postavijati visestruke uticnice i prenosne izvore napajanja.

Prilikom postavijanja uredaja, pazite da kabl napajanja ne bude prikljesten i ostecen.

U uredaju nemojte drzati eksplozivne stvari poput rasprsvaca sa zapaljivim plinovima.

Rashladni sklop uredaja sadrzi rashladni plin zobutan (R500a), prirodni plin koji ne zagaduje okolinu, ali je zapaljiv. Proverite da tokom transporta i postavljanja uredaja nije doslo do ostecenja ni jedne komponente rashladnog sklopa.

Rashladni plin (R500a) je zapaljiv.

Ako je rashladni sklop ostecen:

- Izbegavajte otvoreni plamen i izvore zapaljenja.
- Dobro prozracite prostoriju u kojoj se uredaj nalazi.

Opasno je menjati karakteristike uredaja ili ga modificirati na bilo koji nacin.

Bilo kakvo *ostecenje* kabla napajanja moze izazvat kratak spoj, pozar / strujni udar.

Ovaj uređaj je namenjen upotrebi u kući :

- kuhinjama za osoblje u trgovinama, uredima i drugim radnim okruženjima;
- u kućama na poljoprivrednim dobrima, za goste u hotelima, motelima sličnim vrstama smestaja;
- u prenocistima;
- u cateringu drugim uslugama s prodajom na veliko

Kabal napajanja ne sme se produžavati.

Pazite da utikac kabla nije oštećen i polomljen. Oštećen i polomljen utikac može se pregrijati i izazvati požar.

Priključnica napajanja uređaja uvek mora biti lako dostupna.

Nemojte povlačiti kabal.

Ako je strujna uticnica labava, nemojte u nju spajati kabal napajanja. Postoji rizik od strujnog udara ili požara.

Sijalica u uređaju ne sme se koristiti bez njenog poklopca.

Svakodnevna upotreba

1. U uređaju nemojte stavljati zapaljive plinove i tekućine. Postoji opasnost od eksplozije.
2. U uređaju nemojte koristiti nikakve električne uređaje (npr. električne aparate za sladoled, miksera sl.).
3. Prilikom odspajanja uređaja sa napajanja, uvek povlačite utikac, a ne sam kabal.
4. Blizu plastičnih delova uređaja nemojte stavijati vruće predmete.
5. Nemojte stavijati namirnice direktno na odvod vazduha na zadnjoj strani .
6. Zamrznuta jela cuvajte u skladu s upustvima proizvođača.
7. Valja se strogo pridržavati upustva proizvođača o cuvanju namirnica. Procitajte vazeca upustva za pohranjivanje.
8. U zamrzivac ne stavljajte gazirana pica jer ona stvaraju pritisak u bocama/limenkama te mogu ekspodirati ostetiti uređaj.
9. Zamrznuta hrana moze zazvati ozeblina ako je konzumirate direktno iz zamrzivaca.
10. Ne postavijajte uređaj ravno na sunce.

11. Upaljene svece, svetiljke i zvore otvorenog piamena drzite dalje od uredjaja kako se ne bi zapalio.
12. Uredaj je namenjen cuvanju hrane / i pica u kuci, kao sto je opisano u ovom upustvu. Uredjaj je tezak. Budite pazljivi prilikom njegova pomicanja.
13. Nemojte vaditi i dirati namirnice u zamrzivacu vlaznm/mokrim rukama jer to moze izazvati abrazije kože i ozeblinae.
14. Postolje, ladice, vrata itd. nemojte koristiti za stajanje ili podupiranje.
15. Jednom odmrznute namirnice ne smeju se ponovno zamrzavati.
16. Nemojte konzumirati sladolede i kocke leda pravo iz zamrzivaca jer to moze izazvat ozeblinae na ustima.
17. Kako biste izbegli padanje predmeta i ozlede ili ostecenja uredjaja, nemojte pretrpavati police u vratima i ladice.

Oprez! Odrzavanje i ciscenje

Pre odrzavanja skijucite uredjaj odspojite kabal napajanja iz uticnice.

Nemojte čistiti uređaj metalnim predmetima, parnim strojevima, eteričnim uljima, organskim otapalima i abrazivnim sredstvima.

Nemojte ukijanžati led ostrim predmetima. Upotrebite plasticnu strugalicu.

Instalacija – vazno!

Pridržavajte se ovde navedenih upustva za električno povezivanje.

- Raspakujte uređaj proverite jel je ostecen. Ako je uređaj ostecen, nemojte ga koristiti . Moguca ostecenja odmah prijavite prodavcu. U tom slucaju sacuvajte ambalazu.

- Pre spajanja na napajanje savetuje se pr cekati najmanje cetiri sata kako bi se ulje vratilo u kompresor.

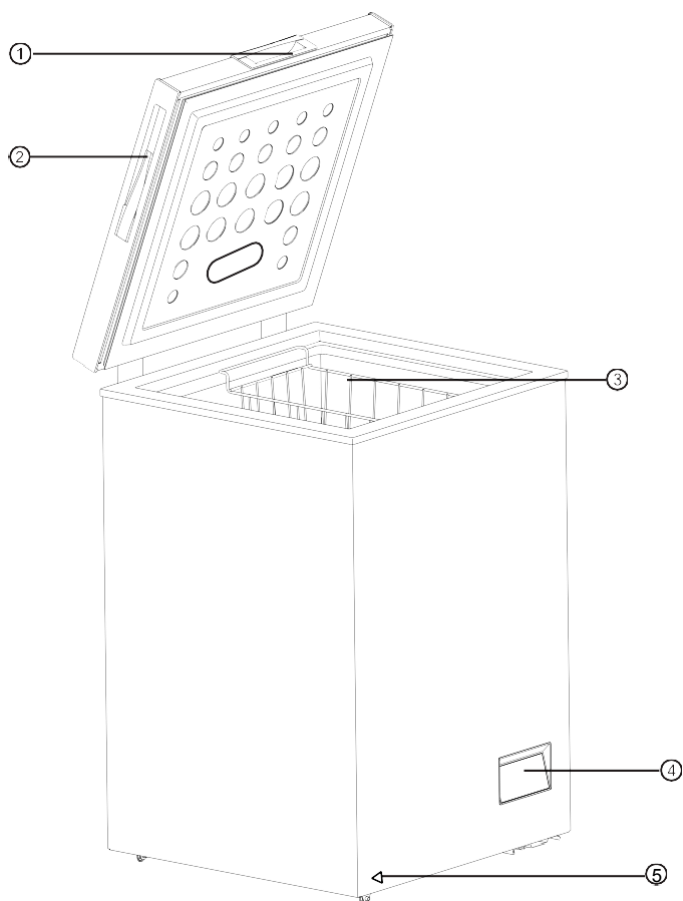
- Oko uređaja ostavite dovoljno prostora za ventilaciju jer se u suprotnom moze pregrejati . Za dostatnu ventilaciju, sledite upustva o i nstalaciji .

- Kad god je moguće, straznja strana uređaja ne sme biti preblizu zidu kako ne bi došlo do kontakta s

bez vlage. Pogledajte odeljak "Postavljanje vašeg novog uredaja

- Ako dijagram prikazuje pravilnu kombinaciju ladica polica, nemojte je menjati jer je ta kombinacija energetski najefikasnija

OPIS PROIZVODA



1. Ugradna rucka
2. Ugradna rucka
3. Korpa
4. Dugme termostata
5. Odvodna rupa

Napomena: Slike iznad je samo za referencu. Uredaj moze izgledati drugacije.

Instalacija

Pozicija

Uredaj treba ugraditi daleko od izvora topline kao što su radijatori, kotlovi, i zračna sunčeva svjetlost itd. Osigurajte da zrak može slobodno cirkulirati oko straznjeg dela ormara. Kako bi se osigurala najbolja performansa, ako je uređaj postavljen ispod viseće zidne jedinice, minimalna udaljenost između vrha ormara i zidne jedinice mora biti najmanje 100mm. U dezinom slučaju, međutim, uređaj se ne sme postaviti ispod visećih zidnih jedinica. Tačno niveliranje osigurava jedna ili više podesivih nogu na dnu uređaja.

Upozorenje! Uredaj mora biti moguće i sklopavati iz glavnog napajanja; utikaca stoga mora biti lako dostupan nakon instalacije.

Elektricni priključak

Pre uključivanja proverite odgovaraju li napon i frekvencija prikazana na nazivnoj pločici vašem kućnom napajanju. Uredaj mora biti uzemljen. U tu je svrhu kabl napajanja opremljen kontaktom. Ako kućna utičnica nije uzemljena, priključite uređaj na zasebnu uzemljenu utičnicu u skladu s važećim propisima, kontaktirajte kvalifikovanog električara. Proizvođač odbacuje svaku odgovornost ako se ne poštuju gore navedene sigurnosne mere opreza.

Zahtevi u pogledu prostora

Preporučeni slobodan prostor oko uređaja:

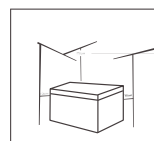
Bocno:

10cm Iza:

10cm

Iznad:

70cm



Pozicioniranje

Postavite ovaj uređaj na mesto gde temperatura okoline odgovara klimatskoj klasi navedenoj na nazivnoj pločici uređaja:

Climate class	Ambient temperature
SN	+10°C to +32°C
N	+16°C to +32°C
ST	+16°C to +38°C
T	+16°C to +43°C

Svakodnevna upotreba

Prva primena

Ciscenje

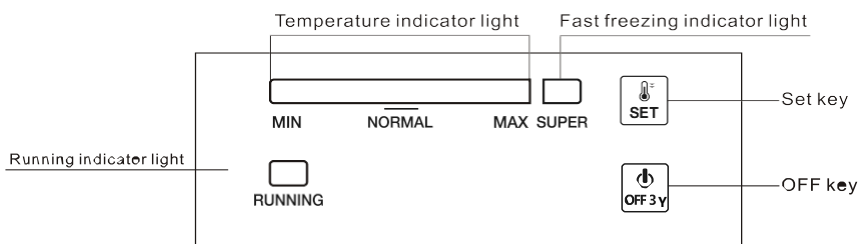
interijera

Pre prve upotrebe uredjaja operite untrasnjost svu unutarnju dodatnu opremu mlakom vodom

neutralnim sapunom kako bi ste uklonili a zatim ga temeljito osušite.

Vazno! Nemojte koristiti deterdžente i abrazivne prskove jer ce to osetiti završnu obradu.

Postavka temperature



Elektricni prikljucak

Kada je uredaj prikljucen, sva LED i indikatorska svetla ce jednom upaliti . Zatim ce uredaj nastaviti s nacinom rada koj je prethodno postavljen pre nestanka struje.

Postavka temperature

- Podešavanje: Pritisnite dugme "SET", unesite nacin rada za podesavanje temperature. Indikator temperature menja se za svakim pritiskom. Ova postavka se pokrece u ciklusima. Raspon temperatura moze se podešavati od MIN do MAX. MAX je najhladnija. Temperatura se automatski postavlja za 5 sekundi nakon zadnjeg pritiska.

- Super zamrzavanje
- Uzastopno pritisnite tipku "SET" kako b ste usli u nacin "SUPER" zamrzavanja. Indikatora na levoj strani potamnit ce dok se i indikatorsko svetlo "SUPER" ukijucuje. Ovaj nacin rada automatski se postavlja 5 sekund nakon zadnjeg pritiska.
- Kompresor nastavlja raditi u nacinu "SUPER" zamrzavanja. Ako nacin rada "SUPER" rad 52 sata bez prekida i ne iskijucite ga rucno, sastav ce automatski prekinuti taj nacin rada, a temperatura se vraca na skali 5.

Uključivanje i isključivanje napajanja

Ako uredaj radi, pritisnite "ON/OFF" 3 sekunde da bi ste ga skijucili. Ako je uredaj i skijucen, pritisnite "ON/OFF" 3 sekunde kako b ste ukijucili.

Svetlosni indikatori

- Svetlosni indikator temperature (svetlo plava): Za podešavanje temperature u rasponu od MIN do MAX.
- MAX je najhladnije.
- Indikator Super zamrzavanje (svetlo plava): svetlo ukijuceno = u "SUPER" nacinu rada; Svetlo iskijuceno = i skijucen "SUPER" nacin rada.
- Svetlo i indikatora rada (svetlozelena): svetlo ukijuceno = kompresor u radu; svetlo i skijuceno = i skijucen kompresor.
- 30 m nuta nakon zadnjeg podešavanja, svetlosni indikator ce se automatski zatamniti na pola osvetljenja.

Funkcija nastavka

Uredaj ce automatski nastaviti s nacinom rada koj je prethodno postavijen pre nestanka struje.

Alarm kvara senzora temperature

Kada dode do i skijucivanja i kratkog spoja senzora temperature, kao alarm kvara, i indikator temperature treperit ce sleva nadesno svakih 0,5 sekund.

Zamrzavanje sveze hrane

- Zamrzivac je pogodan za zamrzavanje sveze hrane cuvanje smrznute duboko smrznute hrane na dugo vremena.
- Stavite svezu hranu za zamrzavanje u zamrzivac.
- Maksimalna kolicina hrane koja se moze zamrznuti u 24 sata navedena je na nazvoj pločici.
- Postupak zamrzavanja traje 24 sata: tokom tog razdoblja nemojte dodavati drugu hranu.

Cuvanje smrznute hrane

Prilikom prvog pokretanja ili nakon razdoblja kad nije u uporabi, pre stavljanja proizvoda u odjejak pustite uredaj da radi najmanje 2 sata na visim postavkama.

Vazno! U slucaju slucajnog odmrzavanja, na primer, napajanje je i skijuceno dalje od vrednosti prikazane u grafikonu tehnickih karakteristika pod "vreme rasta", odmrznuta hrana mora se brzo pripremiti ili kuvati, a zatim ponovno zamrznuti (nakon kuvanja).

Odmrzavanje

Duboko smrznuta i smrznuta hrana, pre upotrebe, može se odmrznuti u hladnjaku ili na sobnoj temperaturi, zavisno o dostupnom vremenu.

Mali komadi mogu se čak kuvati još uvek zamrznuti, pravo iz zamrzivaca. U tom slučaju kuvanje će trajati duže.

Korisni saveti

Kako bi vam pomogli maksimalno iskoristiti uređaj, evo nekoliko važnih saveta:

- maksimalna količina hrane koja se može zamrznuti u 24 sata. prikazana je na nazivnoj pločici ;
- postupak zamrzavanja traje 24 sata. Tokom tog razdoblja ne treba dodavati dodatnu hranu za zamrzavanje;
- zamrzavajte samo kvalitetne, sveže temeljito ociscene prehrambene proizvode;
- pripremite hranu u manjim pakiranjima kako bi se omogućilo brzo potpuno zamrzavanje te kako bi se kasnije mogle odmrznuti samo potrebne količine;
- zamotajte hranu u aluminijsku foliju ili plastične vrećice i proverite jesu li pakiranja dobro zatvorena;
- Preporučljivo je pakete označiti datumom smrzavanja.

Saveti za skladištenje smrznute hrane

Kako bi ste dobili najbolje performanse iz ovog uređaja, trebali bi ste:

- ne otvarajte vrata često i ostavljajte otvorenu duže nego što je potrebno.
- nakon odmrzavanja, hrana se brzo kvari i ne preporuča se ponovno zamrzavati ;
- pazite na rok trajanja.

Ciscenje

Iz higijenskih razloga unutrašnjost uređaja, uključujući i unutarnju opremu, treba redovno čistiti .



Oprez! Uredaj i skijucite iz elektricnu uticnicu pre ciscenja. U protivnom postoji opasnost od strujnog udara! Pre ciscenja i skijucite uređaj i zvcite utikac iz uticnice. Nikada ne čistite uređaj koristeći parocistac. Vлага se može akumulirati u elektricnim komponentama, opasnost od elektricnog udara! Vruca para može dovest do oštećenja plasticnih delova. Uredaj mora biti suv pre nego što se vrati u upotrebu.

Vazno! Etericna ulja organska otapanja mogu oštetiti plasticne delove, npr. limunov sok ili sok narancine kore, kiseline, sredstvo za ciscenje koje sadrzi octenu kiselinu.

- Ne dopustite da takve stvari dodju u dodir sa delovima uredjaja.
- Ne koristite abrazivna sredstva za ciscenje
- Izvadite hranu iz zamrzivaca. Pohranite na hladnom mestu, dobro pokrivenu.
- Iskijucite uredjaj i izvucite utikac iz uticnice.
- Ocistite uredjaj unutarnji pribor krpom mlakom vodom. Nakon ciscenja obrisite svežom vodom i osušite.
- Nakon što je uredjaj suv, ukijucite ga natrag u elektricnu uticnicu pokrenite rad.

Odmrzavanje zamrzivaca

Zamrzivac će s vremenom postati prekriven ledom, a taj led treba redovito uklanjati.

Nikada nemojte koristiti oštre metalne predmete za struganje leda s isparivaca jer biste ga mogli oštetiti.

Kada led postane vrlo gust, potrebno je potpuni odmrznuti uredjaj i majuci na umu sledece savete:


- Iskijucite uredjaj. Izvucite odvodni cep iz unutarnjeg dela zamrzivaca. Odmrzavanje obicno traje nekoliko sati. Za brze odmrzavanje vrata zamrzivaca ostavite otvorena.
- Obavezno stavite posudu ispred odvoda s vanjske strane uredjaja.
- Zakrenite odvodni cep za 180 stupnjeva. To će pustiti vodu, kada završite, gurnite odvodni cep natrag na mesto. Vratite odvodni cep unutar zamrzivaca.



Napomena: Vodite brigu o napunjenosti spremnika ispod odvoda kako bi se izbeglo prelevanje.

- Obrisite unutrašnjost zamrzivaca ponovno ukijucite elektricni utikac u elektricnu uticnicu. Podesite temperature na zeijenu vrednost.

Otklanjanje kvarova

 **Paznja!** Pre otklanjanja problema isključite napajanje. Samo ovlašćeni serviser sme obavljati popravak i otklanjanje problema koji se ne nalaze u ovom priručniku.



Vazno! Mogu se čuti neki zvukovi tokom normalnog rada uređaja (kompresor, cirkulacija rashladnog sredstva).

Problem	Moguc uzrok	Rješenje
Uredaj ne rad	Mrežni utikac nije priključen	Uključite utikac u strujnu mrežu
	Osigurac je neispravan	Proverite osigurac zamenite prema potrebi
	Uticnica je neispravna	Strujne kvarove mora obaviti ovlašćeni elektricar
Uredaj se previse zamrzava	Temperatura je podešena prenisko	Okrenite regulator temperature na topliju postavku privremeno.
Hrana nije dovoljno zamrzuta	Temperatura nije pravilno podešena.	Pogledajte u početnom odjeljku Postavke temperature.
	Vrata su bila otvorena duže vreme.	Otvorite vrata samo onoliko dugo koliko je potrebno.
	U uređaj je stavljena velika količina tople hrane u posljednja 24 sata.	Okrenite regulaciju temperature na hladnije postavke privremeno.
	Uredaj je blizu izvora topline.	Pogledajte odeljak mesto instalacije.
Nakupljanje mraza na gumi vrata	guma vrata je neispravna	Ispravite gumu, ako je moguće
Neobični zvukovi	Uredaj nije u ravnom	Proverite uređaj poravnajte ga
	Uredaj dodiruje zid i druge predmete.	Lagano pomaknite uređaj.

Ako se kvar ponovno pojavi, obratite se servisnom centru.

Ti su podaci potrebni kako bi vam pomogli da brzo i pravno napisite potrebne podatke, pogledajte nazivnu pločicu.

Informacijski list proizvoda

Delegirana uredba Komisije (EU) 2019/2016 u pogledu označivanja energetske efikasnosti rashladnih uređaja

Ime ili zaštitni znak dobavljača: KONČAR

Adresa dobavljača: Tehnička podrška, Slavonska avenija 16, 10 000 Zagreb Grad Zagreb, HR

Identifikaciona oznaka modela: LVE400BH

Tip rashladnog uređaja:

Tihi rashladni uređaj: Ne Projektovani tip: samostojeće

Uređaj za čuvanje vina: Ne Drugi rashladni uređaj: Da

Opći parametri proizvoda:

Parametar	Vrednost	Parametar	Vrednost
Ukupne dimenzije (mm)	Visina 850	Ukupna zapremnina (dm ³ ili l)	371
	Širina 1 300		
	Dubina 705		
Indeks energetske učinkovitosti (EEI)	124	Razred energetske učinkovitosti	E
Emisije buke koja se prenosi zrakom (dB(A) re 1 pW)	40	Razred emisija buke koja se prenosi zrakom	C
Godišnja potrošnja energije (kWh/god)	254	Klimatski razred:	prošireni umereni, umereni, suptropski, tropski
Minimalna temperatura okoline (°C) za koju je rashladni uređaj prikladan	10	Maksimalna temperatura okoline (°C) za koju je rashladni uređaj prikladan	43
Postavka za zimski način rada	Ne		

Parametri odeljka:

Vrsta odeljka	Parametri i vrednosti odeljka			
	Zapremnina odeljka (dm ³ ili l)	Preporučena postavka temperature za optimalno čuvanje hrane (°C) Te postavke ne smiju biti u suprotnosti s uvetima čuvanja iz tablice 3. Priloga IV.	Kapacitet zamrzavanja (kg/24 sata)	Defrosting type (auto-defrost=A, manual defrost=M)
Odeljak s uslovima ostave	Ne	-	-	-

Odeljak za čuvanje vina	Ne	-	-	-	-
Odeljak s podrumskim uslovima	Ne	-	-	-	-
Odeljak za čuvanje sveže hrane	Ne	-	-	-	-
Odeljak sveže zone	Ne	-	-	-	-
Odeljak s 0 zvezdica ili odeljak za pravljene leda	Ne	-	-	-	-
Odeljak s jednom zvezdicom	Ne	-	-	-	-
Odeljak s dve zvezdice	Ne	-	-	-	-
Odeljak s tri zvezdice	Ne	-	-	-	-
Odeljak s četiri zvezdice	Da	371,0	-18	18,0	M
Prostor s dve zvezdice	Ne	-	-	-	-
Odeljak s promenjivom temperaturom	-	-	-	-	-
Za odeljke s četiri zvezdice					
Funkcija brzog zamrzavanja			Da		
Parametri izvora svetlosti:					
Vrsta izvora svjetlosti			LED		
Razred energetske efikasnosti			G		
Minimalno trajanja osjetljivosti koje nudi proizvođač: 24 (u mesecima)					
Dodatne informacije:					
Internet stranica proizvođača na kojoj se nalaze informacije iz tačke 4. podtočke (a) Priloga Uredbi Komisije (EU) 2019/2019: WWW.KONCAR-KA.HR					

